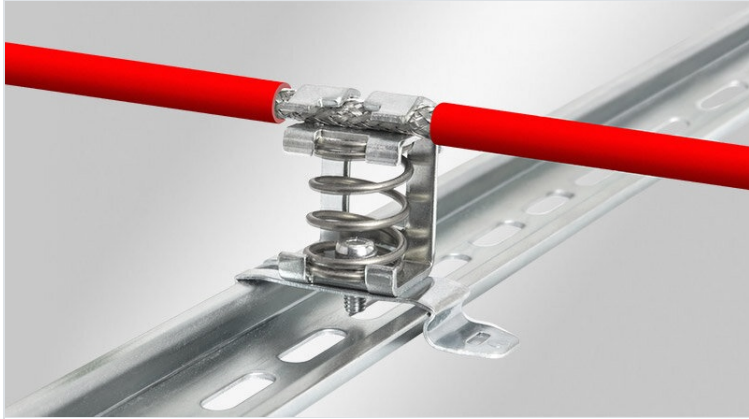


EMC shield brackets with compression spring

with or without integrated strain relief



EMC shield brackets with compression spring are used, where the shield of cables must be connected to the earth potential. They are easy to use and effective in earthing single cable shields.

Versions with strain relief: The cable itself is strain-relieved using cable ties over the outer cable sheath in accordance with EN 62444 and thus protects the cable shield, as it is not mechanically designed for tensile forces. Strain relief can lead to damage, including to the individual wires underneath.

SK shield brackets can be assembled on a mounting plate with screws, on DIN-rails shape C, 35 mm top hat rails or on 10 x 3 mm bus bars.



RoHS
compliant



Made in
Germany

Specifications

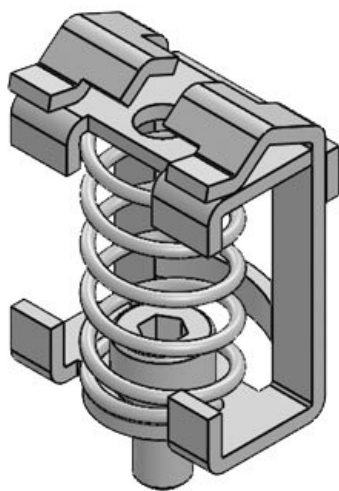
Material	Shield bracket: Mild steel, galvanically zinc plated
Flame class	
Mounting options	Screw type mounting, Snap-in

Advantages & benefits

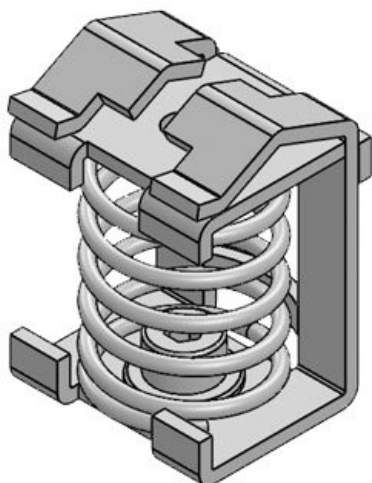
- The spring design permanently maintains contact to the cable shield
- Partially with integrated strain relief
- Shield contact and strain relief separated
- Easy assembly and removal
- Versatile mounting options
- Large clamping areas, therefore less product sizes needed to cover a large cable diameter range

Product types & sizes

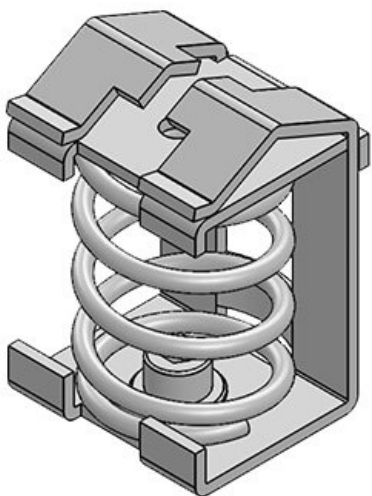
SK 3-8



Part No.	36222.002	Width	13 mm
EAN	4251269302	Height	26 mm
	190	Hole size	M4
Package quantity	10	No. of screw holes	1
For max. no. of cables	1	Diam. of screw holes	4,2 mm
Min. shield diam.	3 mm		
Max. shield diam.	8 mm		
Length	18,5 mm		

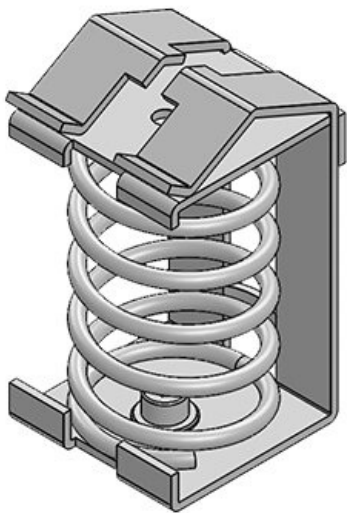


Part No.	36224.002	Width	20 mm
EAN	4251269302	Height	32 mm
	206	Hole size	M4
Package quantity	10	No. of screw holes	1
For max. no. of cables	1	Diam. of screw holes	4,2 mm
Min. shield diam.	4 mm		
Max. shield diam.	13,5 mm		
Length	22 mm		

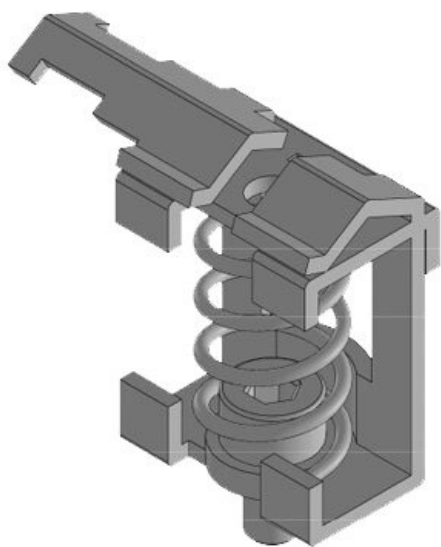


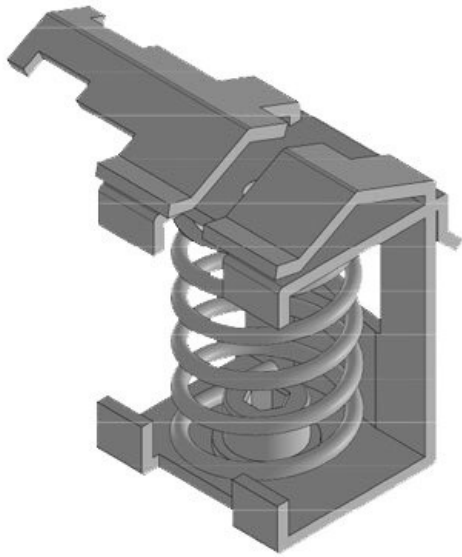
Part No.	36226	Width	25 mm
EAN	4251269302	Height	41 mm
	213	Hole size	M4
Package quantity	10	No. of screw holes	1
For max. no. of cables	1	Diam. of screw holes	4,2 mm
Min. shield diam.	10 mm		
Max. shield diam.	20 mm		
Length	27 mm		

Part No.	36228	Width	37 mm
EAN	4251269302	Height	64 mm
	220	Hole size	M4
Package quantity	10	No. of screw holes	1
For max. no. of cables	1	Diam. of screw holes	4,2 mm
Min. shield diam.	15 mm		
Max. shield diam.	32 mm		
Length	33,5 mm		

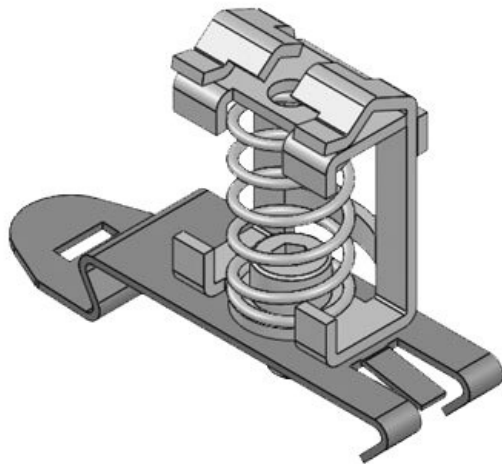


Part No.	36222	Length	30,5 mm
EAN	4251269302	Width	12,8 mm
	190	Height	31,8 mm
Package quantity	10	Hole size	M4
Strain relief (acc. to EN 62444)	1	No. of screw holes	1
For max. no. of cables	1	Diam. of screw holes	4,2 mm
Min. shield diam.	3 mm		
Max. shield diam.	8 mm		





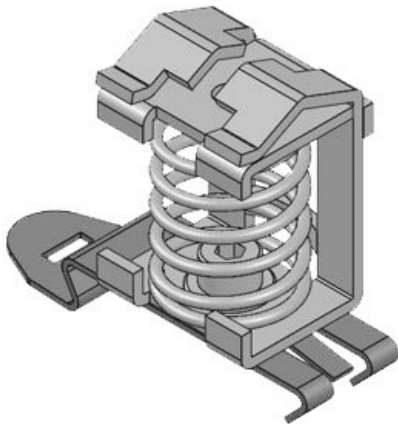
Part No.	36224	Length	36 mm
EAN	4251269302	Width	22 mm
	206	Height	37,8 mm
Package quantity	10	Hole size	M4
Strain relief (acc. to EN 62444)	1	No. of screw holes	1
For max. no. of cables		Diam. of screw holes	4,2 mm
Min. shield diam.	4 mm		
Max. shield diam.	13,5 mm		



Part No.	36500.002	Width	14 mm
EAN	4251269302	Height	32,7 mm
	985	Mounting height	26 mm
Package quantity	10		
For max. no. of cables			
Min. shield diam.	3 mm		
Max. shield diam.	8 mm		
Length	50 mm		

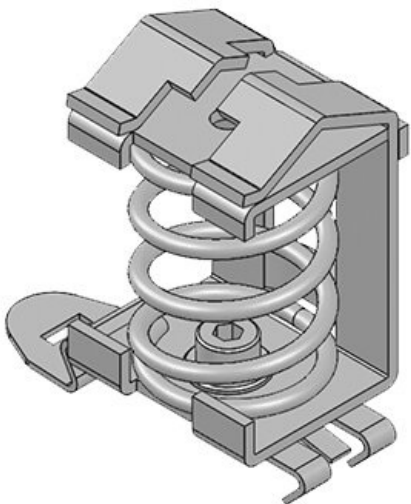
SF|SK 4-13.5

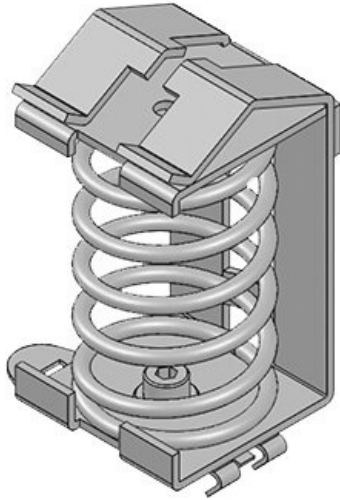
Part No.	36502.002	Width	20 mm
EAN	4251269302	Height	38,7 mm
	992	Mounting	32 mm
Package quantity	10	height	
For max. no. of	1		
cables			
Min. shield diam.	4 mm		
Max. shield diam.	13,5 mm		
Length	50 mm		



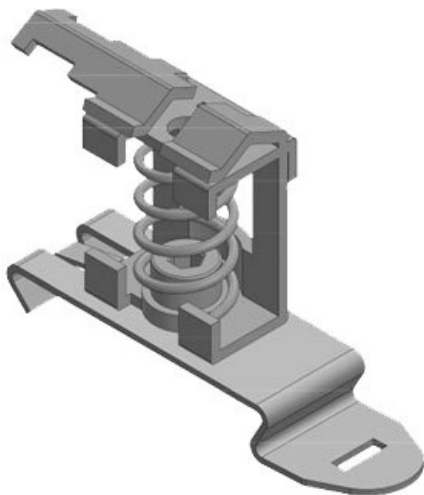
SF|SK 10-20

Part No.	36504	Width	25 mm
EAN	4251269303	Height	47,7 mm
	005	Mounting	41 mm
Package quantity	10	height	
For max. no. of	1		
cables			
Min. shield diam.	10 mm		
Max. shield diam.	20 mm		
Length	50 mm		





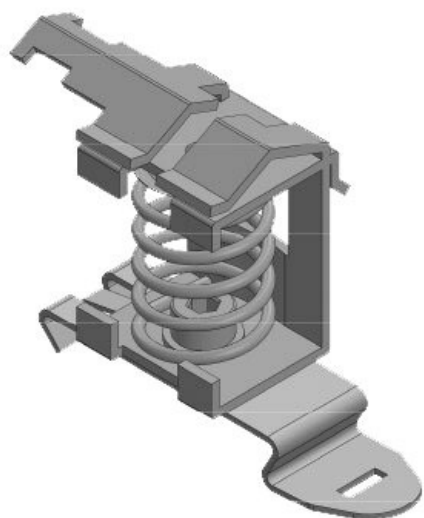
Part No.	36506	Width	37 mm
EAN	4251269303	Height	70,7 mm
	012	Mounting height	64 mm
Package quantity	10		
For max. no. of cables	1		
Min. shield diam.	15 mm		
Max. shield diam.	32 mm		
Length	50 mm		



Part No.	36500	Length	53,3 mm
EAN	4251269319	Width	14 mm
	303	Height	32,8 mm
Package quantity	10	Mounting height	26,7 mm
Strain relief (acc. to EN 62444)	1		
For max. no. of cables	1		
Min. shield diam.	3 mm		
Max. shield diam.	8 mm		

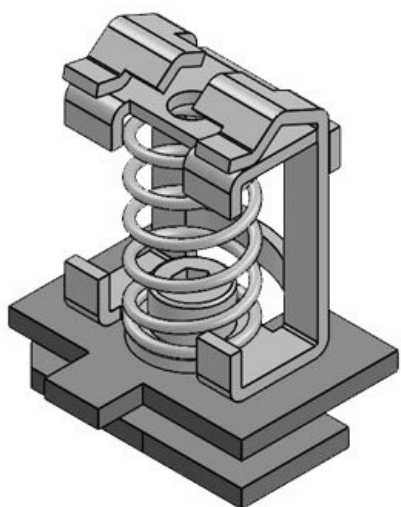
SF|SKZ 4-13.5

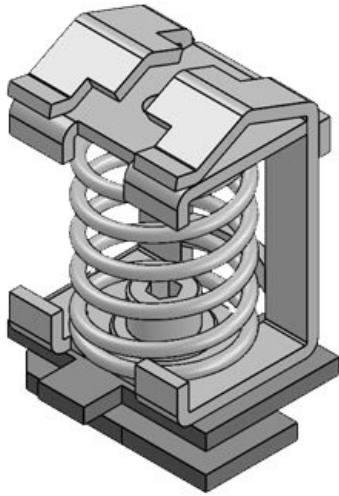
Part No.	36502	Length	57,3 mm
EAN	4251269319	Width	21,7 mm
	310	Height	38,9 mm
Package quantity	10	Mounting height	32,7 mm
Strain relief (acc. to EN 62444)	1		
For max. no. of cables			
Min. shield diam.	4 mm		
Max. shield diam.	13,5 mm		



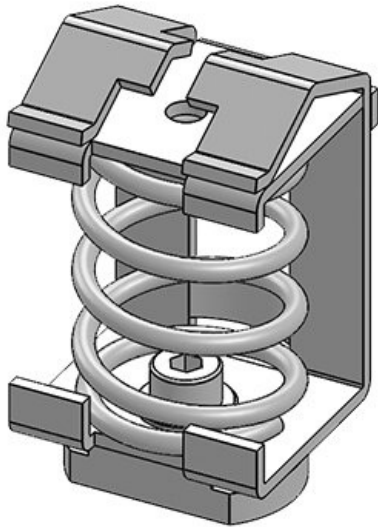
SC|SK 3-8

Part No.	36696.002	Width	12,5 mm
EAN	4251269303	Height	32,4 mm
	180		
Package quantity	10		
For max. no. of cables			
Min. shield diam.	3 mm		
Max. shield diam.	8 mm		
Length	26 mm		



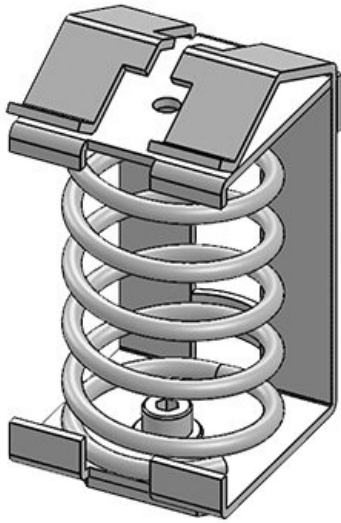


Part No.	36700.002	Width	20,3 mm
EAN	4251269303	Height	38,5 mm
	197		
Package quantity	10		
For max. no. of cables	1		
Min. shield diam.	4 mm		
Max. shield diam.	13,5 mm		
Length	26 mm		

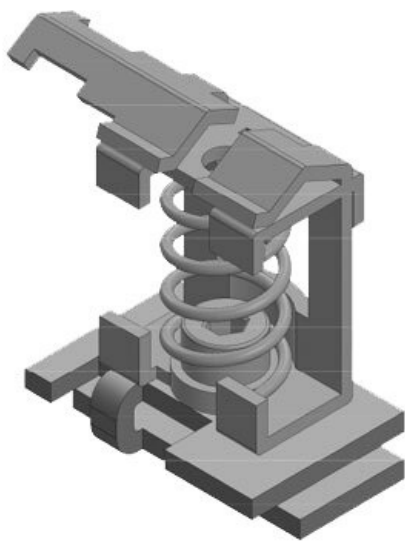


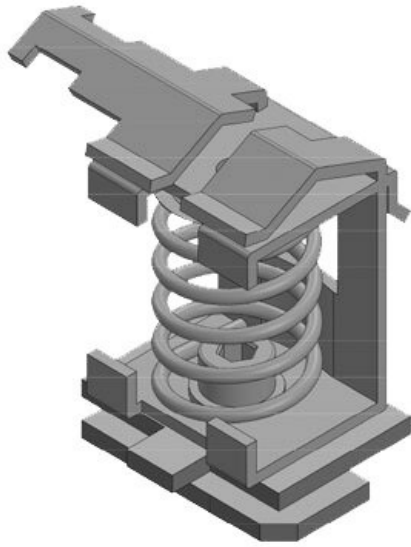
Part No.	36704	Width	25,3 mm
EAN	4251269303	Height	47,5 mm
	203		
Package quantity	10		
For max. no. of cables	1		
Min. shield diam.	10 mm		
Max. shield diam.	20 mm		
Length	26 mm		

Part No.	36708	Width	36,8 mm
EAN	4251269303	Height	70,5 mm
Package quantity	10		
For max. no. of cables	1		
Min. shield diam.	15 mm		
Max. shield diam.	32 mm		
Length	26 mm		

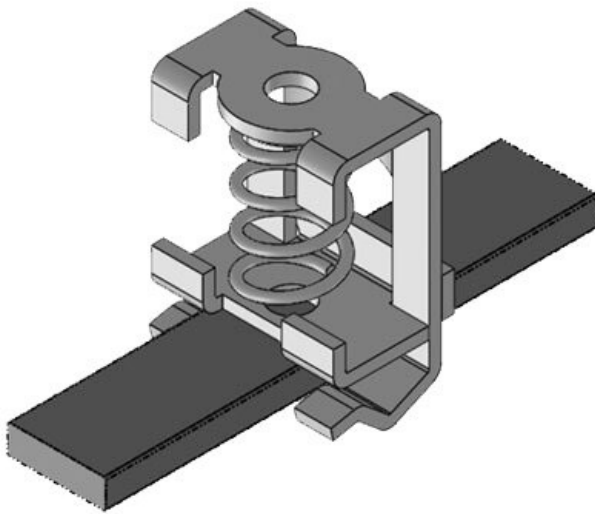


Part No.	36696	Length	30,5 mm
EAN	4251269319	Width	22,5 mm
Package quantity	341	Height	32,6 mm
Strain relief (acc. to EN 62444)	1		
For max. no. of cables	1		
Min. shield diam.	3 mm		
Max. shield diam.	8 mm		





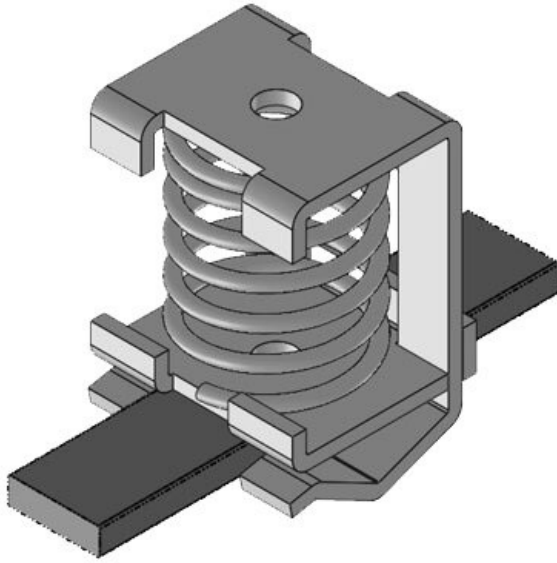
Part No.	36700	Length	36 mm
EAN	4251269319	Width	22,5 mm
	358	Height	38,7 mm
Package quantity	10		
Strain relief (acc. to EN 62444)	1		
For max. no. of cables	1		
Min. shield diam.	4 mm		
Max. shield diam.	13,5 mm		



Part No.	36235.002	Width	13 mm
EAN	4251269302	Height	26 mm
	282		
Package quantity	10		
For max. no. of cables	1		
Min. shield diam.	3 mm		
Max. shield diam.	8 mm		
Length	18,5 mm		

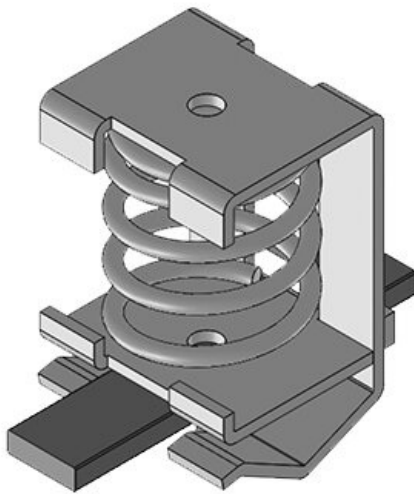
SS|SK 4-13.5

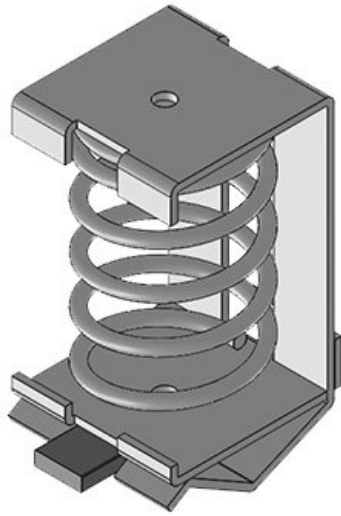
Part No.	36236.002	Width	20 mm
EAN	4251269302	Height	32 mm
	299		
Package quantity	10		
For max. no. of cables	1		
Min. shield diam.	4 mm		
Max. shield diam.	13,5 mm		
Length	22 mm		



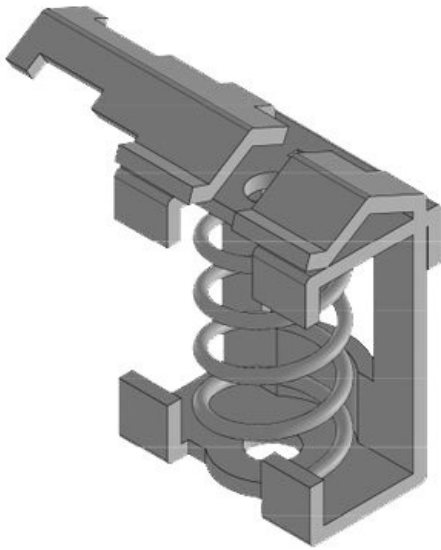
SS|SK 10-20

Part No.	36237	Width	25 mm
EAN	4251269302	Height	41 mm
	305		
Package quantity	10		
For max. no. of cables	1		
Min. shield diam.	10 mm		
Max. shield diam.	20 mm		
Length	27 mm		





Part No.	36238	Width	36 mm
EAN	4251269302	Height	64 mm
	312		
Package quantity	10		
For max. no. of cables	1		
Min. shield diam.	15 mm		
Max. shield diam.	32 mm		
Length	33,5 mm		



Part No.	36235	Length	30,5 mm
EAN	4251269319	Width	12,8 mm
	327	Height	25,9 mm
Package quantity	10		
Strain relief (acc. to EN 62444)	1		
For max. no. of cables	1		
Min. shield diam.	3 mm		
Max. shield diam.	8 mm		

Part No.	36236	Length	36 mm
EAN	4251269319	Width	22 mm
	334	Height	31,9 mm
Package quantity	10		
Strain relief (acc. to EN 62444)	1		
For max. no. of cables	1		
Min. shield diam.	4 mm		
Max. shield diam.	13,5 mm		

